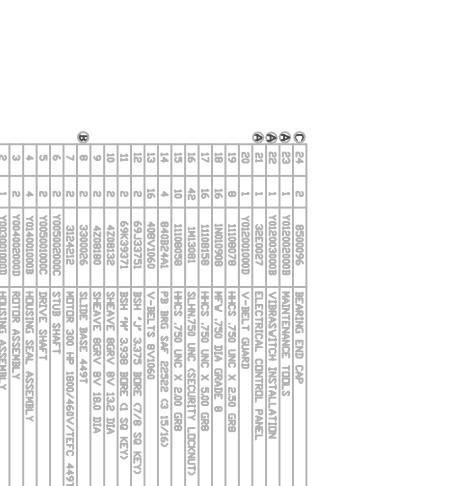
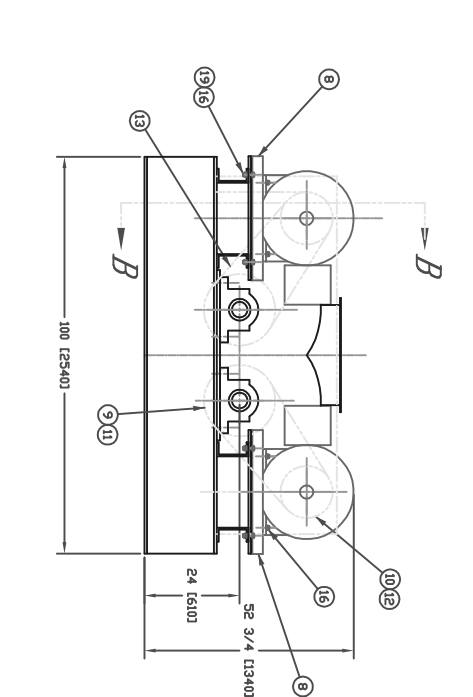
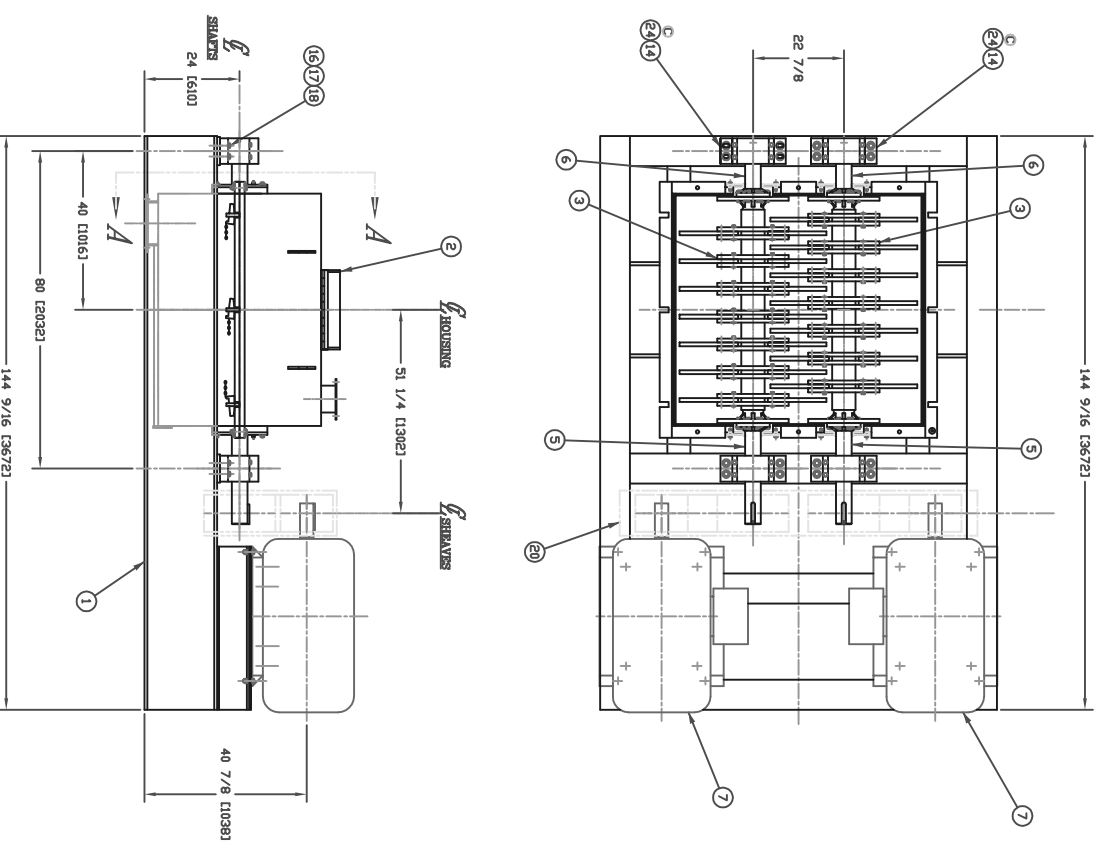


Information on this drawing is proprietary and confidential. Details contained herein shall not be used for the purpose of reproducing or manufacturing any part of this drawing without the written permission of the drawing control or reproduction office. The names within parentheses, by the use of which parts are identified, are the names of the parts as shown in this drawing, unless otherwise indicated. The names within parentheses, by the use of which parts are identified, are the names of the parts as shown in this drawing, unless otherwise indicated.



2. APPROX. WT 20,000 LBS-9072 KGS.
 NOTES-
 1. DIMENSIONS IN BRACKETS ARE MMS.

REV	DATE	BY	CHKD	DESCRIPTION
1	03/13/97			GENERAL ASSEMBLY

NO	QTY	DESCRIPTION	UNIT
1	1	ELIMINATOR GENERAL ASSEMBLY	

NO	QTY	DESCRIPTION	UNIT
1	1	ELIMINATOR GENERAL ASSEMBLY	

F. I. GUNLOCK MACHINE COMPANY
 BRIDGEVILLE, PA. U.S.A.

ELIMINATOR GENERAL ASSEMBLY

DATE: 03/13/97
 DRAWN BY: D. BROWN
 CHECKED BY: [Signature]