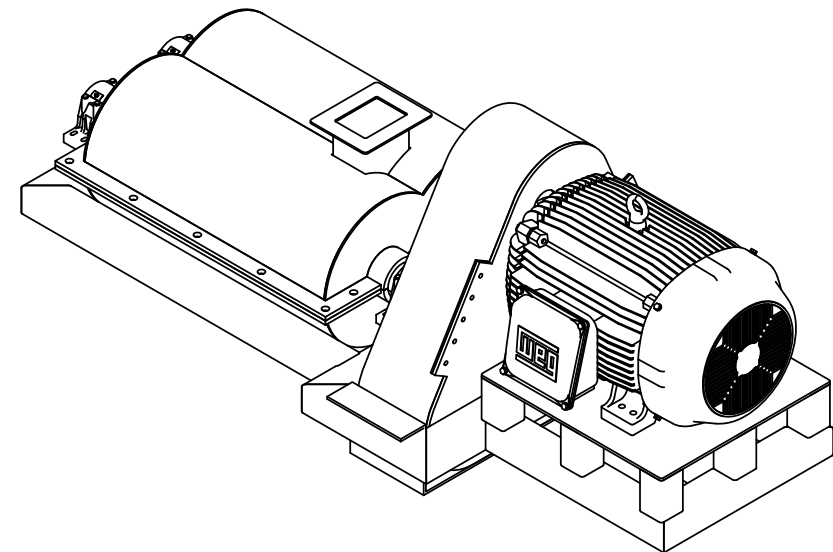
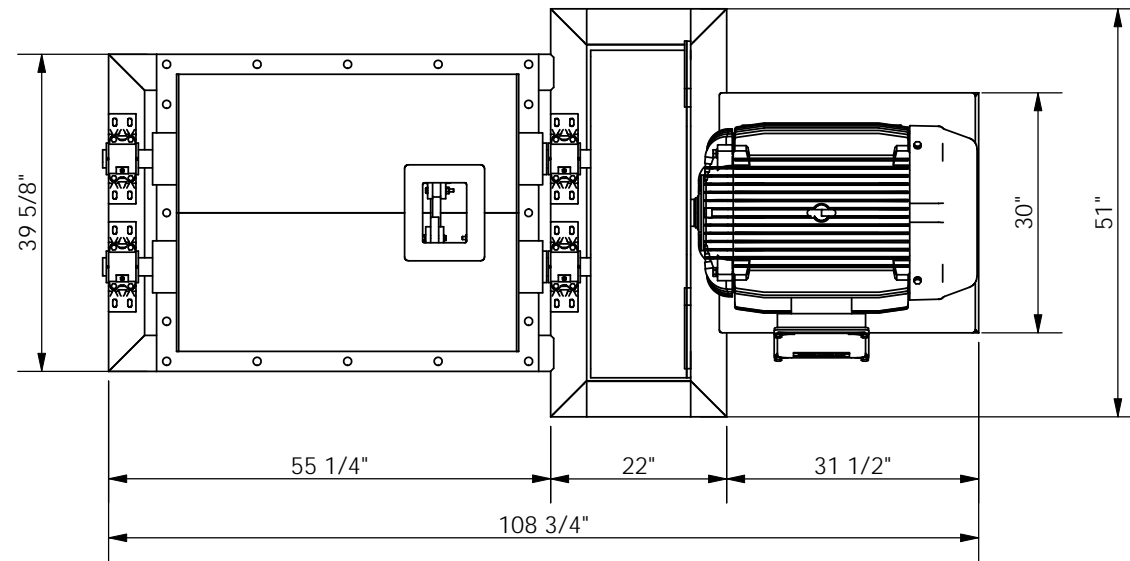


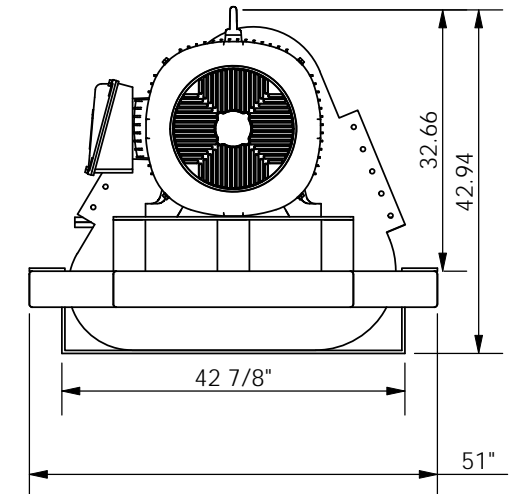
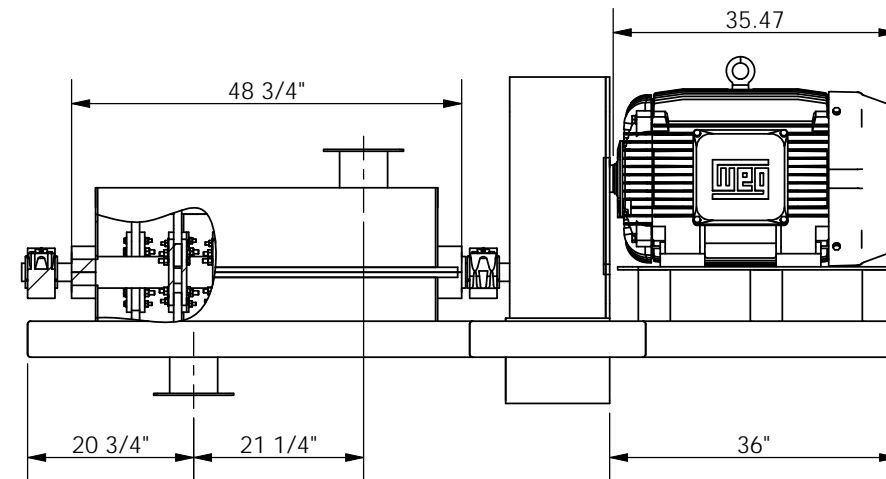
| ITEM NO. | DRAWING NUMBER | DESCRIPTION | QTY |
|----------|----------------|----------------------------------|-----|
| 1 | 07154-ELM-01-1 | FRAME ASSEMBLY | 1 |
| 2 | 07154-ELM-02-1 | TANK ASSEMBLY | 1 |
| 3 | 07154-ELM-02-1 | TANK ASSEMBLY | 1 |
| 4 | 07154-ELM-05-1 | HAMMER ASSEMBLY | 12 |
| 5 | 07154-ELM-00-2 | SHAFT | 2 |
| 6 | 07154-ELM-06-1 | INLET ASSEMBLY | 2 |
| 7 | | Preferred Narrow FW 0.5625 | 13 |
| 8 | | HFBOLT 0.5625-12x1.5x1.25-N | 6 |
| 9 | | HHNUT 0.5625-12-B-N | 6 |
| 10 | | Preferred Narrow FW 1 | 31 |
| 11 | BEARING | 07154-EPTCAD-ERPBT-204-4-DEFAULT | 4 |
| 12 | | HHBOLT 1.0000-12x3x1.75-N | 16 |
| 13 | | HHNUT 1.0000-12-B-N | 16 |
| 14 | 07154-ELM-04-1 | MOTOR MOUNTING FRAME | 1 |
| 15 | 75 HP 1780 RPM | WEG THREE-PHASE INDUCTION MOTOR | 1 |
| 16 | | Preferred Narrow FW 0.75 | 16 |
| 17 | | HHFBOLT 0.7500-10x3.25x1.75-N | 8 |
| 18 | | HNUT 0.7500-10-B-N | 3 |
| 19 | 07154-ELM-07-1 | PULLY LAYOUT | 1 |
| 20 | | PULLY LAYOUT | 1 |
| 21 | | HHNUT 0.7500-16-B-N | 8 |



| REVISIONS | | | | |
|-----------|-------------------|-----|-----------|----------|
| REV. | DESCRIPTION | BY | DATE | APPROVED |
| A | ISSUED FOR REVIEW | JTB | 2/20/2008 | |



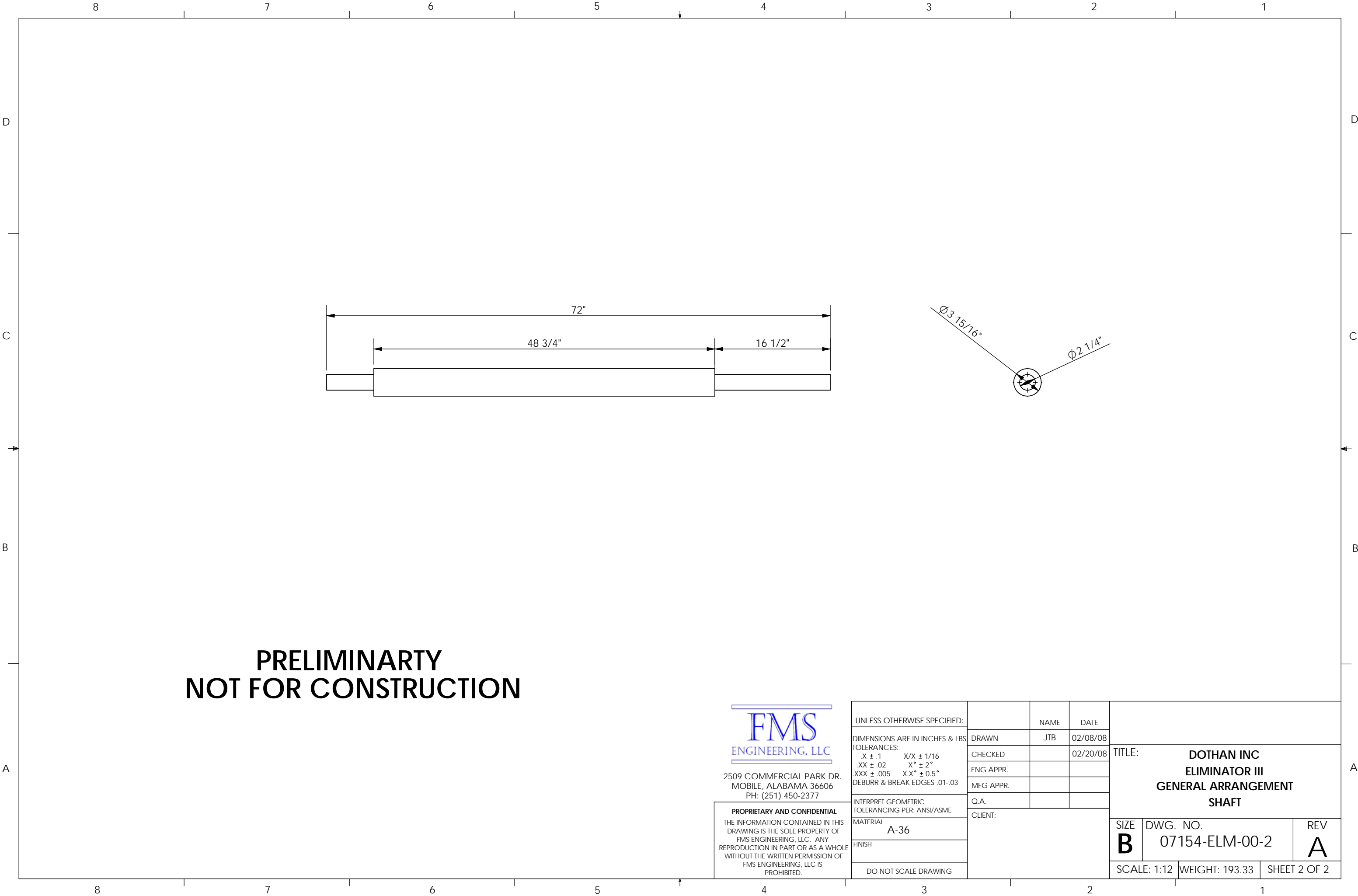
**PRELIMINARY
NOT FOR CONSTRUCTION**



2509 COMMERCIAL PARK DR.
MOBILE, ALABAMA 36606
PH: (251) 450-2377

PROPRIETARY AND CONFIDENTIAL
THE INFORMATION CONTAINED IN THIS DRAWING IS THE SOLE PROPERTY OF FMS ENGINEERING, LLC. ANY REPRODUCTION IN PART OR AS A WHOLE WITHOUT THE WRITTEN PERMISSION OF FMS ENGINEERING, LLC IS PROHIBITED.

| | | | | |
|--|-----------|------|----------|--|
| UNLESS OTHERWISE SPECIFIED: | | NAME | DATE | TITLE: DOTHAN INC ELIMINATOR III GENERAL ARRANGEMENT GENERAL ARRANGEMENT |
| DIMENSIONS ARE IN INCHES & LBS | DRAWN | JTB | 02/08/08 | |
| TOLERANCES: | CHECKED | | 02/20/08 | |
| .X ± .1 X/X ± 1/16 .XX ± .02 X* ± 2° .XXX ± .005 X.X* ± 0.5° DEBURR & BREAK EDGES .01-.03 | ENG APPR. | | | |
| INTERPRET GEOMETRIC TOLERANCING PER: ANSI/ASME MATERIAL | MFG APPR. | | | SIZE B |
| FINISH | Q.A. | | | |
| DO NOT SCALE DRAWING | CLIENT: | | | REV A |
| | | | | SCALE: 1:24 WEIGHT: 3025.15 SHEET 1 OF 2 |



**PRELIMINARY
NOT FOR CONSTRUCTION**



2509 COMMERCIAL PARK DR.
MOBILE, ALABAMA 36606
PH: (251) 450-2377

PROPRIETARY AND CONFIDENTIAL
THE INFORMATION CONTAINED IN THIS
DRAWING IS THE SOLE PROPERTY OF
FMS ENGINEERING, LLC. ANY
REPRODUCTION IN PART OR AS A WHOLE
WITHOUT THE WRITTEN PERMISSION OF
FMS ENGINEERING, LLC IS
PROHIBITED.

| | | | | | | |
|--|--|-----------|------|---|--|----------|
| UNLESS OTHERWISE SPECIFIED: | | NAME | DATE | TITLE: DOTHAN INC ELIMINATOR III GENERAL ARRANGEMENT SHAFT | | |
| DIMENSIONS ARE IN INCHES & LBS | | DRAWN | JTB | | | 02/08/08 |
| TOLERANCES: | | CHECKED | | | | 02/20/08 |
| .X ± .1 X/X ± 1/16 .XX ± .02 X° ± 2° .XXX ± .005 X.X° ± 0.5° DEBURR & BREAK EDGES .01-.03 | | ENG APPR. | | | | |
| INTERPRET GEOMETRIC TOLERANCING PER: ANSI/ASME | | MFG APPR. | | | SIZE: B DWG. NO.: 07154-ELM-00-2 REV: A | |
| MATERIAL A-36 | | Q.A. | | | | |
| FINISH | | CLIENT: | | | SCALE: 1:12 | |
| DO NOT SCALE DRAWING | | | | | WEIGHT: 193.33 | |
| | | | | | SHEET 2 OF 2 | |